



Electrolux
PROFESSIONAL

Premium Preparation Sink unit with 3 bowls 1600mm

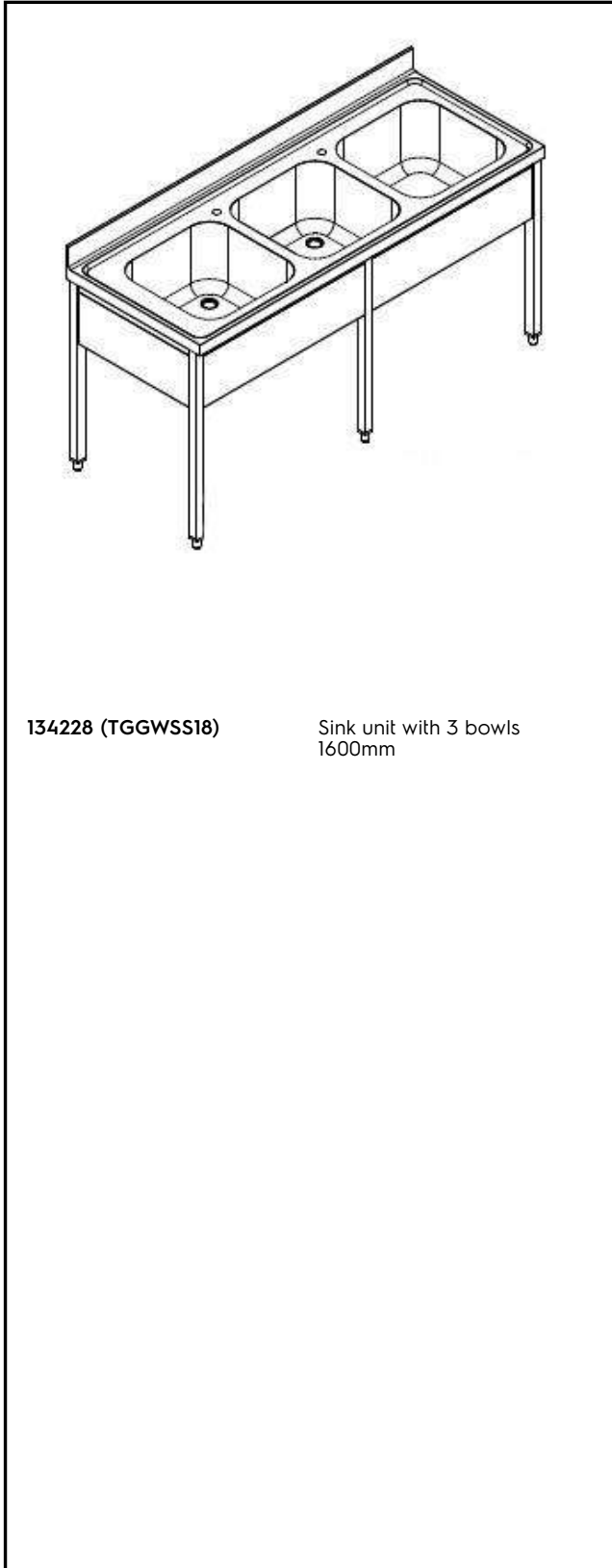
ITEM # _____

MODEL # _____

NAME # _____

SIS # _____

AIA # _____



134228 (TGGWSS18)

Sink unit with 3 bowls
1600mm

Main Features

- Product range suitable for international tenders requirements for intense usage installations.

Construction

- Constructed entirely in 304 AISI stainless steel.
- Square section legs (40x40mm, 10/10 in thickness) and height-adjustable feet (-20/+30mm).
- Welded frame and legs.

Optional Accessories

- Double plastic drain syphon 2" for sinks PNC 850022
- Single plastic drain syphon 2" for sinks PNC 895313

APPROVAL: _____



Experience the Excellence
www.electroluxprofessional.com
professional@electrolux.com



Key Information:

External dimensions, Width:	
134228 (TGGWSS18)	1600 mm
External dimensions, Depth:	700 mm
External dimensions, Height:	850 mm
Upstand Dimensions, Height:	100 mm
Upstand Dimensions, Depth:	13 mm
Upstand Dimensions, Radius:	R=10
Bowls number	3
Bowl dimensions	
Worktop thickness:	50 mm
Net weight:	44 kg